

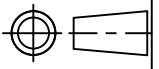


# SHREENATH ENGINEERING

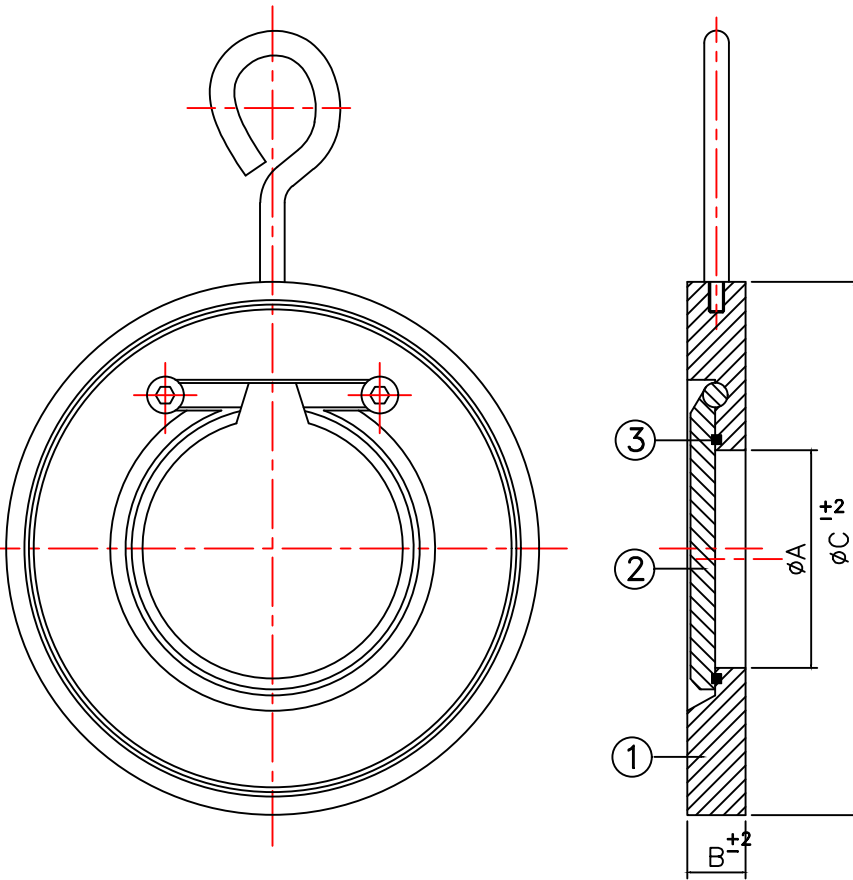
PLOT NO-B/22, ZAVERI ESTATE,  
NR. KATHWADA G.I.D.C., KATHWADA-SINGARVA ROAD,  
KATHWADA, AHMEDABAD-382 430, GUJARAT, INDIA.  
MOBILE :- +91 9825530462, 9979082211  
E-mail: neconvalves@yahoo.com / Website : www.neconvalves.com

DRN  
MASUM

DATE  
10/06/2024



WAFER TYPE CHECK VALVE.  
DRG. NO : SE/CHK/40-50-65-80-100  
125-150



NOTE : ALL DIMENSION ARE IN MM.

### MATERIAL OF CONSTRUCTION

NO	PART NAME	MATERIAL
1	BODY	C.I/SGI/WCB/S.S 304/316
2	DISC	M.S/S.S 304/316
3	SEAT	NITRILE/EPDM/VITON/SILICON/PTFE

### SEAT TEMPERATURE RANGE

SEAT TYPE	TEMPERATURE RANGE	
	Min.	Max.
NITRILE	-13°F(-25°C)	212°F(100°C)
EPDM	-13°F(-25°C)	250°F(120°C)
SILICON	-58°F(-50°C)	356°F(180°C)
VITON	-23°F(-5°C)	392°F(200°C)
HYPALON	-4°F(-20°C)	250°F(120°C)

### TESTING

PRESSURE RATING	HYDROSTATIC SHELL TEST		HYDROSTATIC SEAT TEST	
	Kg/CM2	PSI	Kg/CM2	PSI
PN16	22	310	16	225
PN10	15	210	10	140

SIZE		A	B	C				
MM	INCH			PN10	PN16	BS10D	BS10E	ANSI#150
25	1"	14	16	72	72	69	69	64
40	1½"	22	19	93	93	86	86	86
50	2"	30	19	108	108	97	97	104
65	2½"	40	19	128	128	110	110	123
80	3"	52	19	143	143	129	129	136
100	4"	71	19	163	163	161	161	174
125	5"	93	19	193	193	193	193	196
150	6"	114	19	219	219	218	215	221

#### 1) CONFORMITY TO CODES & STANDARDS

- 2) GENERAL DESIGN & MANUFACTURE :- API 6D/ANSI B16
- 3) VALVE FACE TO FACE DIMENSION :- API 6D/ANSI B16
- 4) VALVE INSPECTION & TESTING :- API 598 / ANSI B16
- FLANGE STANDARD CONFORMITY :- ANSI 150,DIN PN 10 & PN16,BS 10 TABLE D&E

THIS DRAWING IS PROPERTY OF SHREENATH ENGINEERING.  
SHREENATH ENGINEERING RESERVES RIGHTS OF USE,CHANGE & MODIFY PRODUCT DESIGN OR PRODUCT WITHOUT PRIOR NOTICE.

CHECKED BY :-

APPROVED :-